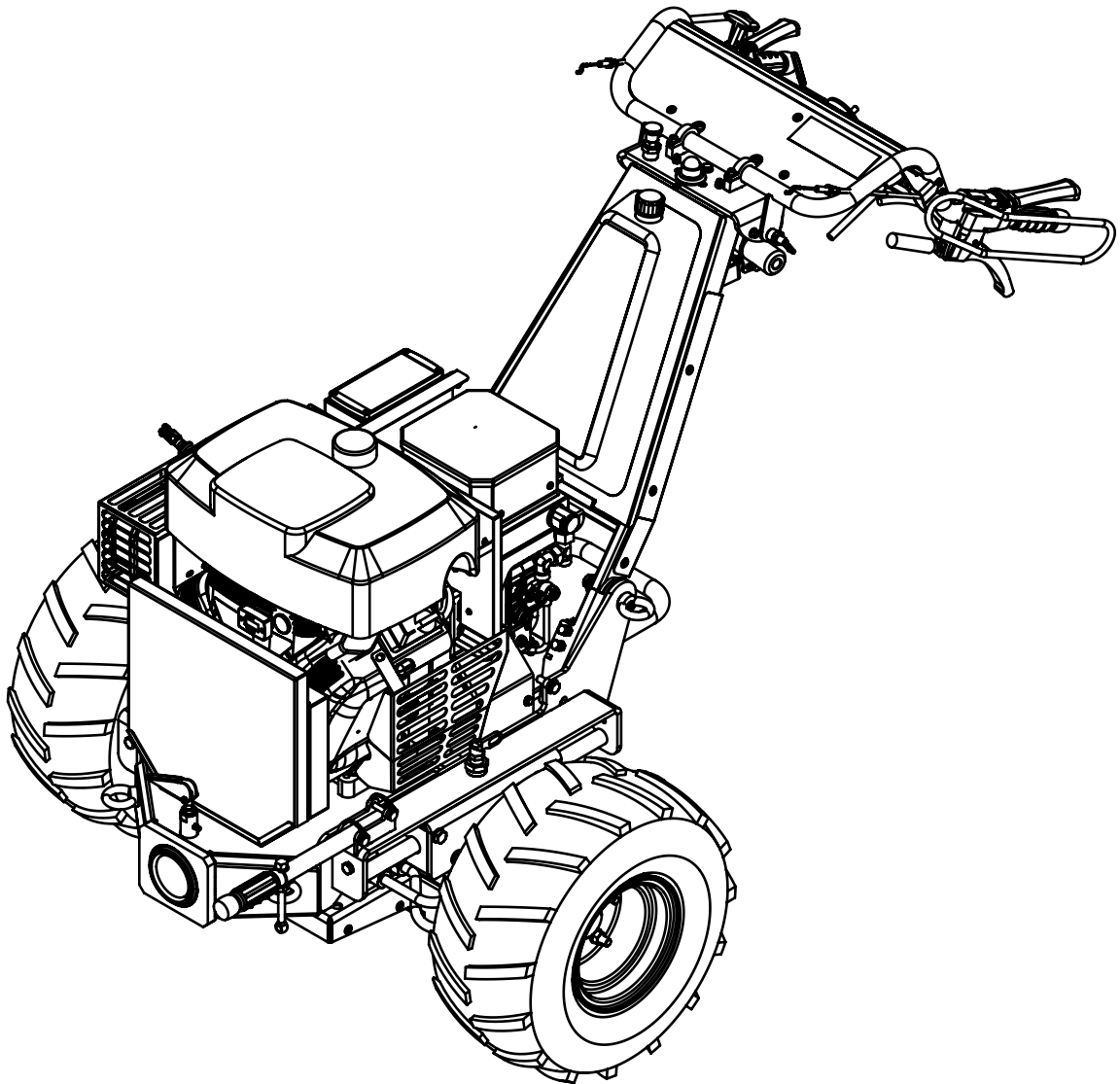




Spare Parts List

Hydrostatic single-axle tractor
UBS Alpin II pro



Order number: E00152 | Machine no. 70691 - 71387 | Rev: R00 | Status: 10/2023



0118 9869 253 | kerstenuk.com

Office@kerstenuk.com

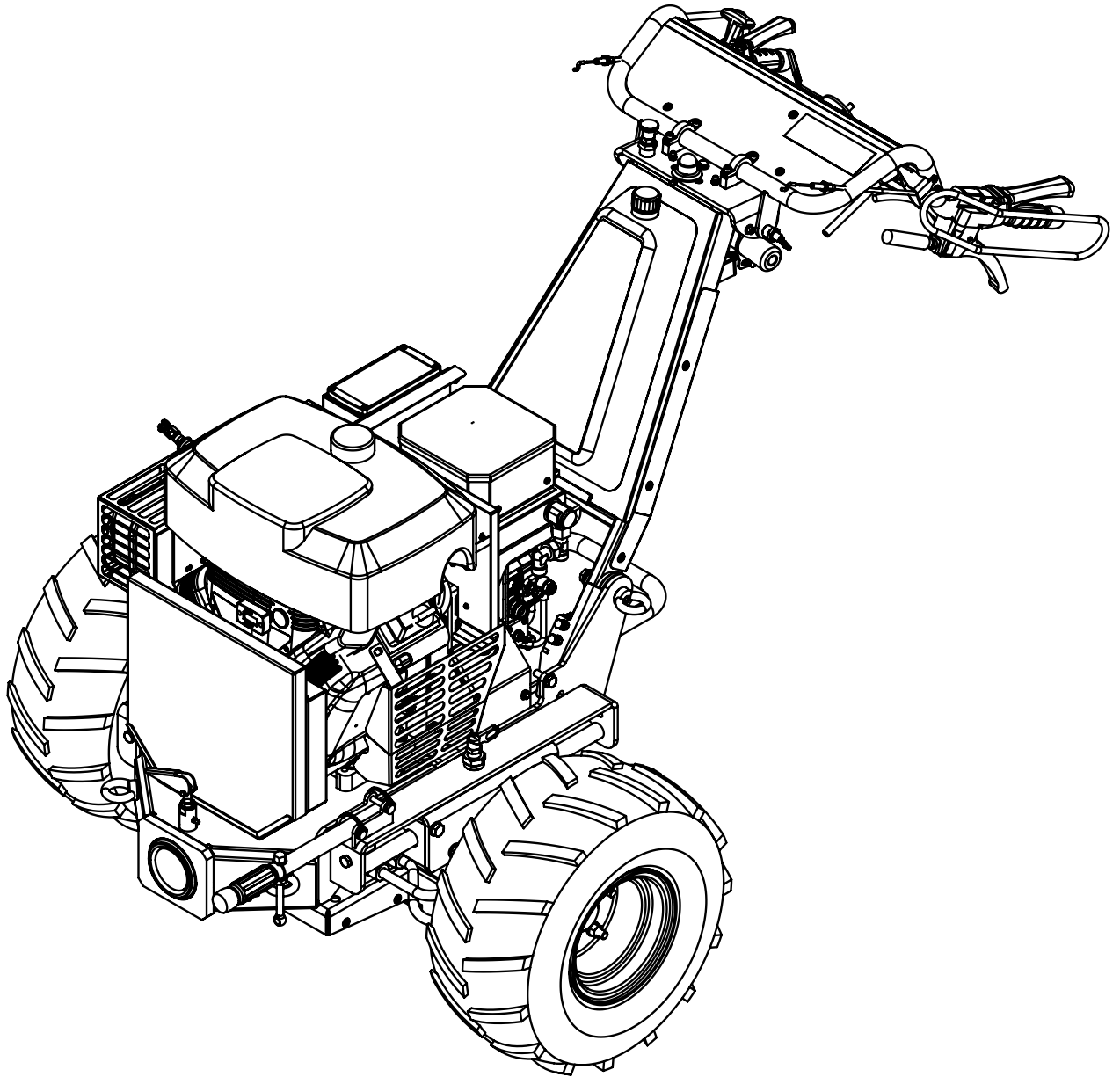
39 Boulton Road, Reading, Berkshire, RG2 0NH

Table of contents

1	model overview	3
1.1	UBS Alpin II pro - with Holm active steering and Comfort Drive - S1327 ..	3
2	assembly overview	4
2.1	Basic housing sliding axis - C14460	4
2.2	B/S engine 23PS including exhaust system - C14471	7
2.3	Oil cooler - C14474	8
2.4	Drivetrain - with Comfort Drive - C14475	10
2.5	Handlebar with handlebar active steering - C14599	13
2.6	Control console with Comfort Drive and single lever - C14457	16
2.7	Cable and control kit - 936 306 034	19
2.7.1	Control box assignment plan	20
2.7.2	Error messages	21
2.7.3	Operating instructions for Zero Turn selector switch	21
2.7.4	Calibration of angle of rotation sensor	22
3	wheels and accessories	23
3.1	Wheels and wheel hub list - D00003 UBS Alpin II pro	23
4	options	24
4.1	Cyclone air filter complete - S1202	24
4.2	Loading frame - S1329	25

1 model overview

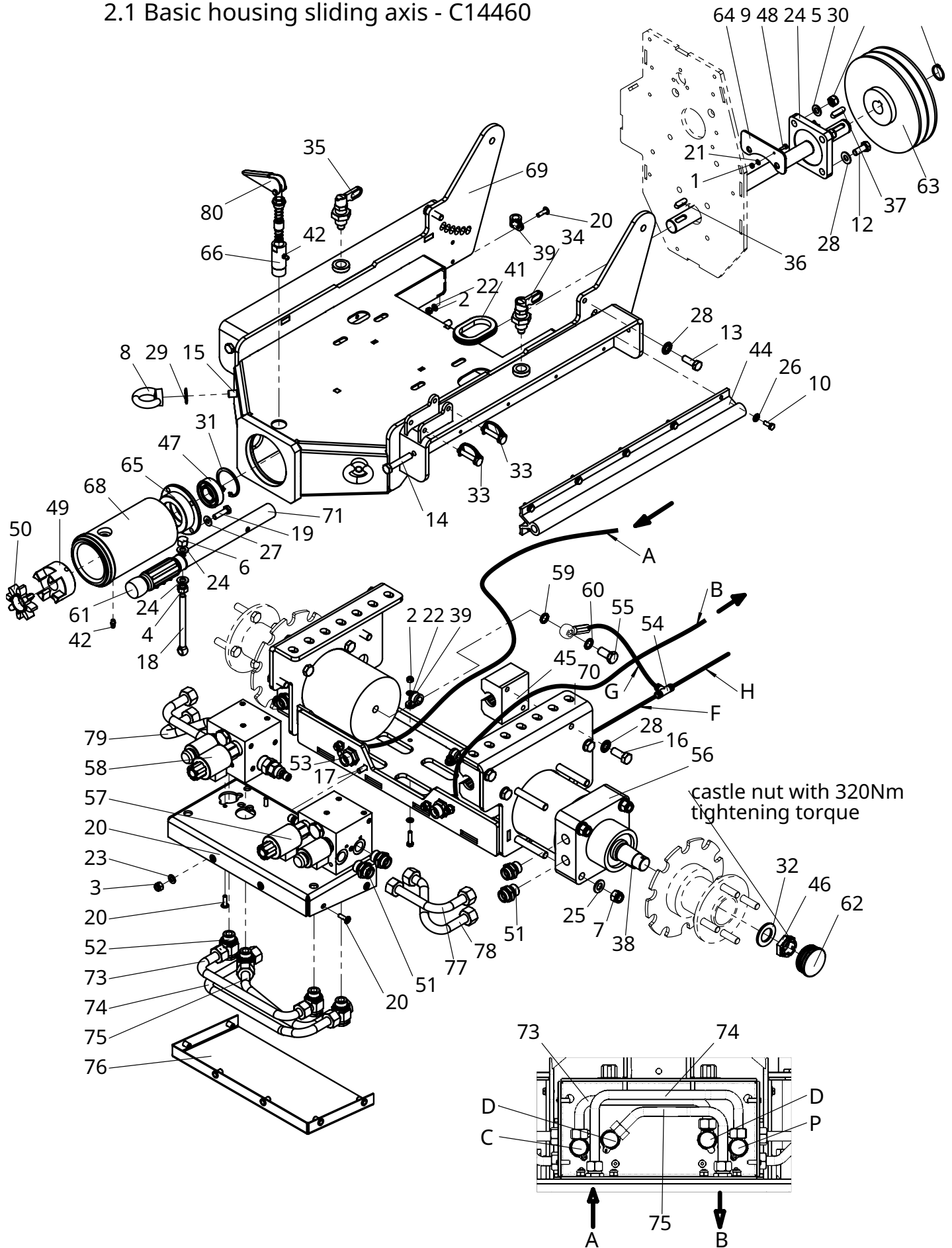
1.1 UBS Alpin II pro - with Holm active steering and Comfort Drive - S1327



No.	Art.-No.	No.	designation
1	936,306 034	1	cable & control kit
2	C1445 7	1	control console
3	C1446 0	1	base housing sliding axis
4	C1447 1	1	engine 23hp including exhaust system
5	C1447 4	1	oil cooler
6	C1447 5	1	drivetrain with Comfort Drive
7	C1459 9	1	handlebar with handlebar active steering
8	s. Reifenliste	1	wheel set Ackerstolle 18x9.5 - 8

2 Assembly overview

2.1 Basic housing sliding axis - C14460



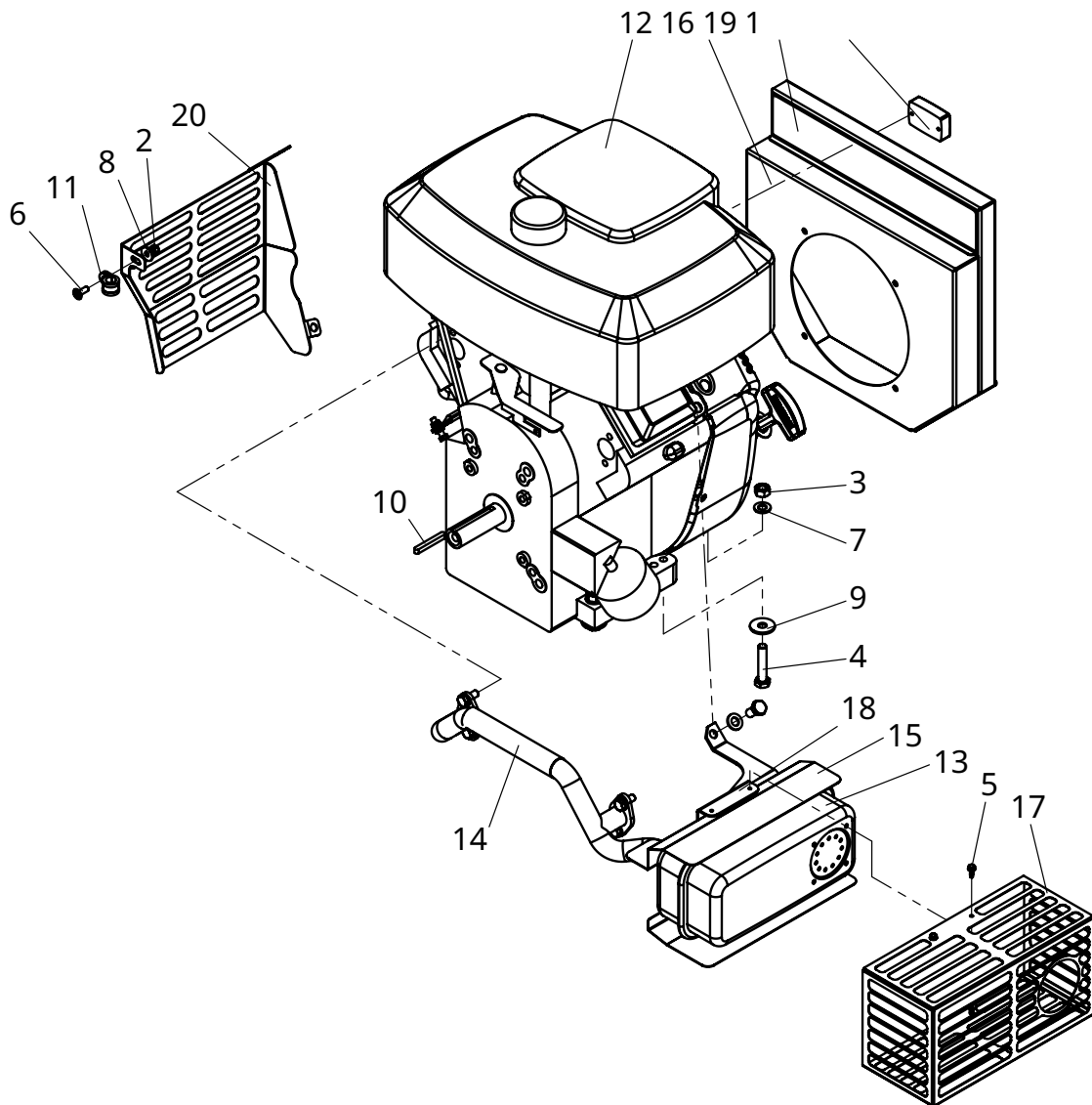
Grandhousing sliding axis - C14460

Nr.	Art.-No.	No.	designation
1	900 004 001	1	Skt.-Mutter
2	900 006 002	4	lock nut
3	900 008 002	4	lock nut
4	900 010 001	1	Skt.-Mutter
5	900 010 002	2	lock nut
6	900 010 003	1	flat cap nut
7	900 012 002	8	lock nut
8	900 012 017	2	ring nut
9	901 004 012	1	hexagon screw without shaft
10	901,006,016	20	hexagon screw without shaft
11	901,006,025	3	hexagon screw without shaft
12	901 010 025	10	hexagon screw without shaft
13	901,010,030	2	hexagon screw without shaft
14	901 010 055	2	hexagon screw without shaft
15	901 012 020	2	hexagon screw without shaft
16	901 012 030	8	hexagon screw without shaft
17	901,908,025	4	carriage bolt
18	903 010 120	1	eyebolt
19	903 508 030	4	hexagon screw without shaft 10.9
20	903 906 020	11	Lens head screw with hexagon socket
21	905,104,000	1	U-disk
22	905,106,000	7	U-disk
23	905,108,000	4	U-disk
24	905,110,000	4	U-disk
25	905,112,000	10	U-disk
26	905,506,000	20	locking washer
27	905,508,000	4	locking washer
28	905,510,000	20	locking washer
29	905,512,000	2	locking washer
30	905,925,000	1	retaining ring outside
31	906,000,520	1	retaining ring inside
32	906,900,002	2	wedge lock washer set
33	907 108 045	2	pipe linchpin
34	907 501 001	1	locking bolt
35	907 501 002	1	locking bolt
36	908 008 725	1	key
37	908 008 730	1	key
38	908,516,254	2	key
39	908 618 012	4	pipe clamp with rubber
40	908,706,666	2	cable grommet double-sided
41	908 706 667	1	cable grommet double-sided
42	910,006,000	2	grease nipple
43	910 006 045	1	grease nipple
44	915,500,002	2	linear guide rail
45	915,500,102	4	housing bearings
46	920 254 012	2	castle nut 1 inch - 20
47	924,106,205	1	deep groove ball bearings
48	924 110 205	1	Flange bearing square complete
49	925 301 025	1	clutch hub
50	925 302 098-1	1	clutch driver, green
51	931 071 512	8	hydraulic screw connection
52	931,171,512	4	hydraulic screw connection
53	931,181,500	2	bulkhead fitting
54	931,190,006	1	T-piece
55	931 261 114	2	hollow screw

Grandhousing sliding axis - C14460

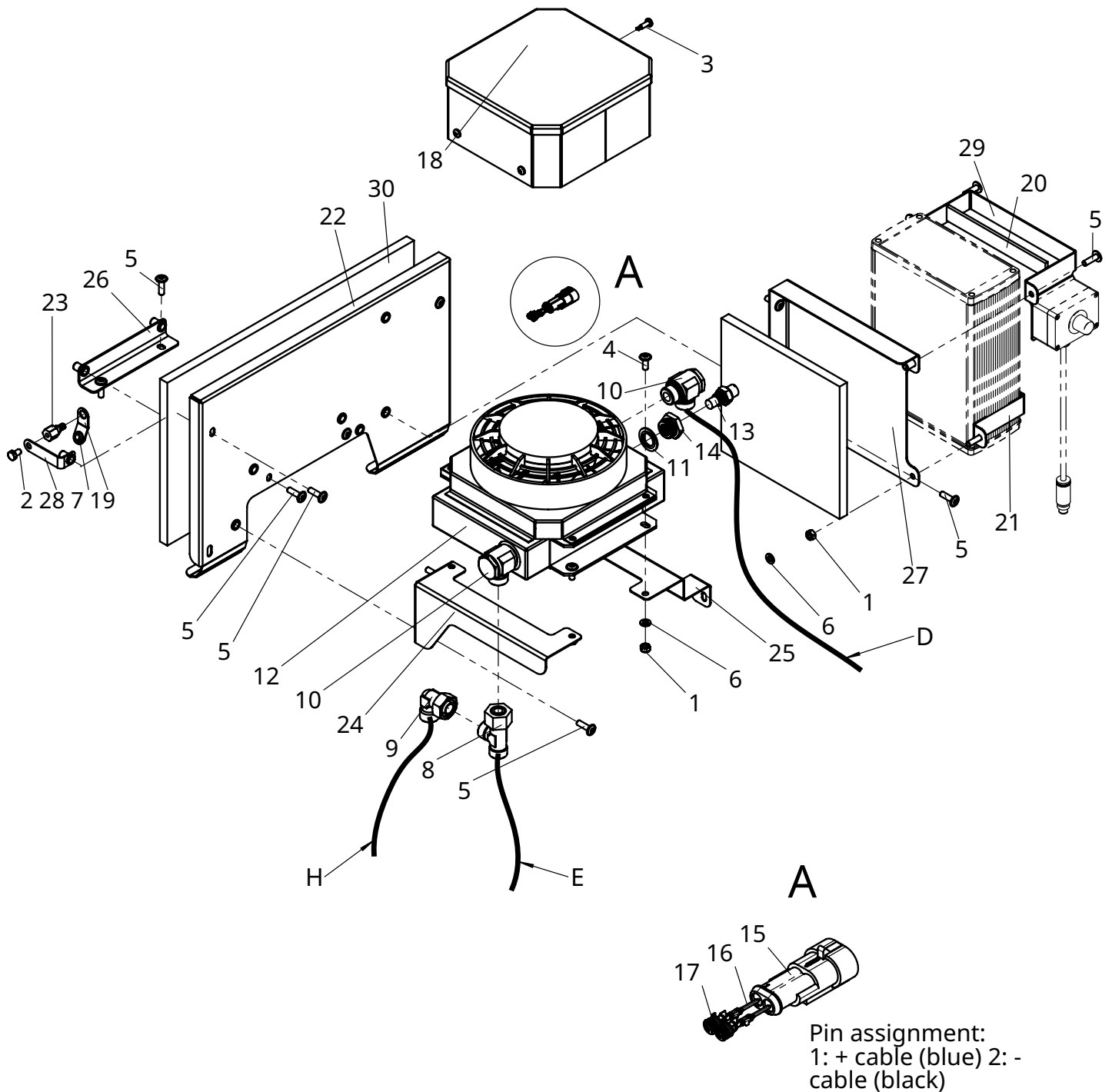
Nr.	Art.-No.	No.	designation
56	935,101,400	2	wheel motor
57	936 310 020	1	steering valve left
58	936 310 021	1	steering right
59	937 101 014	2	sealing edge ring
60	937 800 014	2	sealing ring
61	941 908 015	1	handle
62	943,400,055	2	lamella plug for wheel hub
63	C00677	1	V-belt pulley
64	C01532	1	mounting plate return spring
65	C04979	1	bearing flange
66	C05001	1	Snap pin tube screwed short
67	C05132	1	auxiliary drive shaft
68	C05416	1	interchangeable mounting tube hardened
69	C12463	1	base housing complete adjustment axis
70	C13436	1	axle carrier
71	C13800	1	tension rod for tension spring
72	C13881	1	valve carrier
73	C13896	1	Hydraulic line IV, complete 15L
74	C13897	1	Hydraulic line III complete. 15L
75	C13898	1	Hydraulic line IV complete 15L
76	C14135	1	Cover plate valve carrier compl.
77	C14578	2	Hydraulic line complete 15 L return wheel motor
78	C14596	1	Hydraulic line complete 15L flow left
79	C14598	1	Hydraulic line complete 15L flow right
80	M00111	1	snap pin, pre-assembled
hydraulic hoses			
Nr.	Art.-No.	No.	naming
A	930 680 080	1	Hydraulic hose supply valves/pump bottom
B	930 680 080	1	Hydraulic hose return valves/pump top Hydraulic hose leakage oil
F	930 700 082	1	line wheel motor left Hydraulic hose leakage oil line wheel motor
G	930 700 083	1	right Hydraulic hose leakage oil line between connectors
H	930 700 084	1	

2.2 B/S engine 23PS including exhaust system - C14471



Nr.	Art.-No.	No.	designation
1	000 000 122	1	operating hour meter
2	900 006 002	1	lock nut
3	900 010 001	4	Skt.-Mutter
4	901,010,050	4	hexagon screw without shaft
5	902,144,213	4	drilling screw hexagon head with flange
6	903 906 016	1	Lens head screw with hexagon socket
7	905,110,000	4	U-disk
8	905 206 018	1	K-disk
9	905,210,000	4	K-disk
10	908 006 650	1	key
11	908 618 012	1	pipe clamp with rubber
12	920 000 323	1	B & S engine 23 hp, electric start
13	920 001 123	1	silencer B&S engine 23PS
14	920 803 091	1	heat protection tape basalt fiber
15	C 01646	1	heat shield
16	C02170	1	intake shaft rear part
17	C10346	1	silencer cover
18	C10348	1	silencer bracket
19	C14075	1	Intake shaft short, complete
20	C14472	1	cable cover

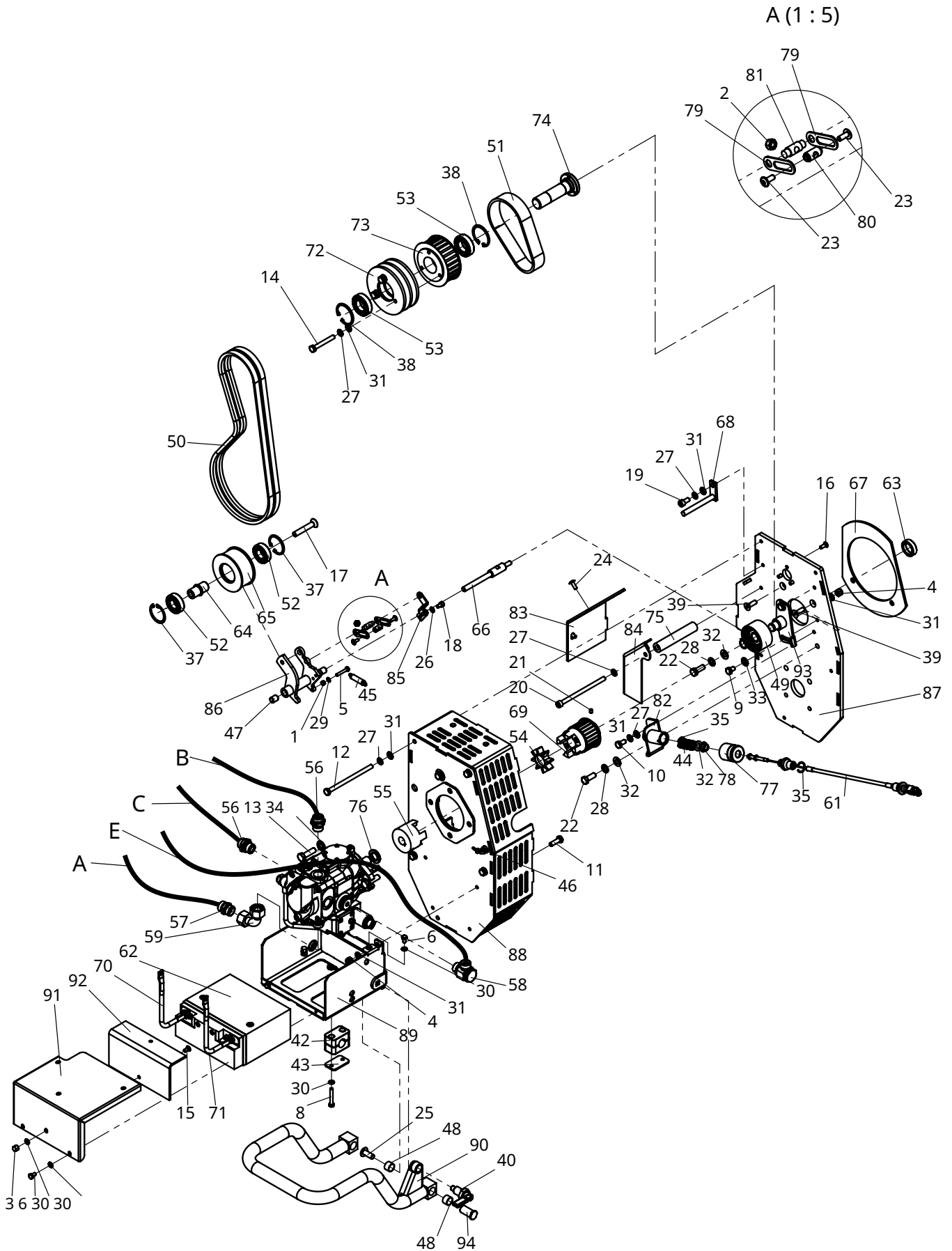
2.3 Oil cooler - C14474



oilcowler - C14474

Nr.	Art.-No.	No.	designation
1	900 006 002	5	lock nut
2	901 006 010	1	hexagon screw without shaft
3	902,648,119	4	lens head drilling screw with Torx
4	903 906 016	4	Lens head screw with hexagon socket
5	903 906 020	16	Lens head screw with hexagon socket
6	905,106,000	5	U-disk
7	908,706,646	1	cable grommet double-sided
8	931,041,500	1	hydraulic screw connection
9	931,061,500	1	hydraulic screw connection
10	931,171,512	2	hydraulic screw connection
11	937 128 021	1	sealing ring Usit-Ring
12	938 702 001	1	aluminum oil cooler
13	938 702 005	1	temperature sensor
14	938 702 006	1	adapter
15	960 070 030	1	connector housing
16	960 070 032	2	flat plug
17	960 070 034	2	seal
18	C03035	1	intake protection oil cooler
19	C10791	1	Bowden cable guide
20	C12121	1	self-adhesive seal
21	C12122	1	control box holder including seal
22	C13894	1	heat shield complete
23	C13904	2	fastening screw heat protection plate
24	C13912	1	Radiator attachment gusset left
25	C13913	1	Radiator attachment gusset right
26	C14120	1	mounting rail complete
27	C14129	1	mounting bracket control box complete
28	C14130	2	Mounting bracket heat shield compl.
29	C14418	1	control box holder
30	C14573	1	oil cooler insulation mat
31	C14615	1	insulation mat control
hydraulic hoses			
Nr.	Art.-No.	No.	naming
D	930 680 040	1	Hydraulic hose return cooler/return tank Hydraulic hose supply
E	930 680 040	1	cooler/pump right Hydraulic hose leak oil line between connectors
H	930 700 084	1	

2.4 Drivetrain - with Comfort Drive - C14475



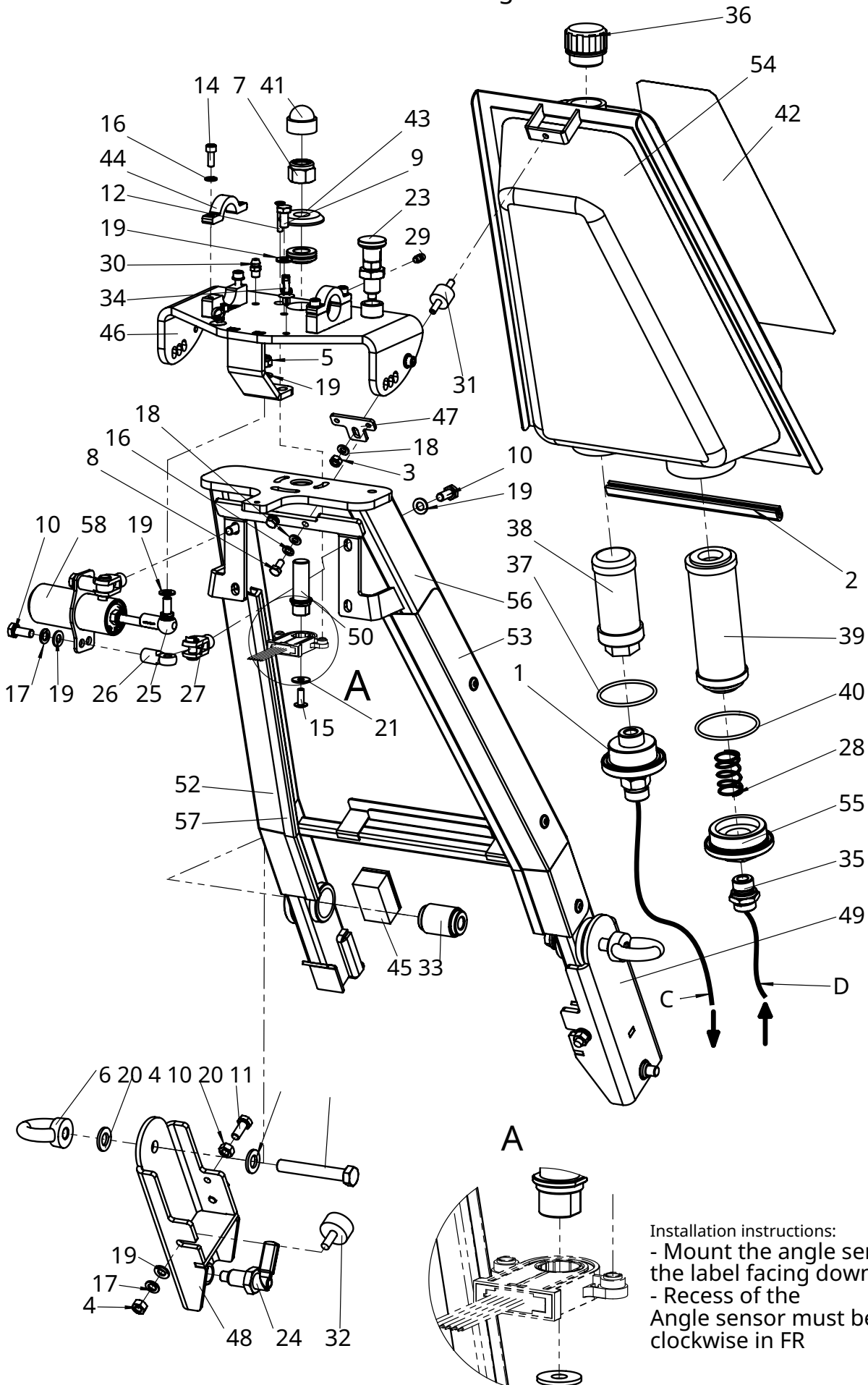
Triebstrang - with Comfort Drive - C14475

Nr.	Art.-No.	No.	designation
1	900 005 001	1	Skt.-Mutter
2	900 006 002	1	lock nut
3	900 006 003	2	cap nut
4	900 008 002	5	lock nut
5	901,005,030	1	hexagon screw without shaft
6	901 006 010	4	hexagon screw without shaft
7	901,006,016	1	hexagon screw without shaft
8	901,006,040	2	hexagon screw without shaft
9	901 008 012	2	hexagon screw without shaft
10	901 008 016	1	hexagon screw without shaft
11	901,008,025	4	hexagon screw without shaft
12	901,008,130	5	hexagon screw without shaft
13	901 010 035	2	hexagon screw without shaft
14	901,108,060	3	hexagon screw with shaft
15	901 206 012	2	Countersunk screw with hexagon socket
16	901,206,016	3	Countersunk screw with hexagon socket
17	901,210,060	1	Countersunk screw with hexagon socket
18	901 806 010	2	Cylinder head screw with hexagon socket
19	901 808 016	1	cylinder head screw with hexagon socket
20	901,808,130	1	Cylinder head screw with hexagon socket
21	902 406 008	2	threaded pin with cup point with locking tooth
22	902,738,100	2	hexagon inch screw
23	903 905 012	2	Lens head screw with hexagon socket
24	903 906 016	1	Lens head screw with hexagon socket
25	903 910 025	2	Lens head screw with hexagon socket
26	905,006,000	3	spring ring
27	905,008,000	11	spring ring
28	905,010,000	2	spring ring
29	905,105,000	1	U-disk
30	905,106,000	9	U-disk
31	905,108,000	15	U-disk
32	905,110,000	3	U-disk
33	905,508,000	2	locking washer
34	905,510,000	2	locking washer
35	905,799,320	2	snap ring
36	905,917,000	1	retaining ring outside
37	906,000,420	2	retaining ring inside
38	906,000,470	2	retaining ring inside
39	906 038 001	2	Countersunk head inch screw with hexagon socket.
40	907 501 116	1	locking bolt with lock nut
41	908 006 625	1	key
42	908 602 020	1	pipe clamp clamp body
43	908 603 026	1	cover plate simple A3
44	909 105 288	1	compression spring
45	909 200 087	1	tension spring
46	914,000,700	1	cable tie clip
47	915 101 214	2	plain bearings
48	915,161,812	4	plain bearings
49	921 060 017	1	tension pulley
50	921 101 005	1	V-belt set
51	921,500,425	1	timing belt
52	924 106 004	2	ball bearings
53	924 606 005	2	ball bearings
54	925 502 064-1	1	driving gear ring
55	925 512 223	1	coupling

Triebstrang - with Comfort Drive - C14475

Nr.	Art.-No.	No.	designation
56	931 071 512	3	hydraulic screw connection
57	931,091,500	1	hydraulic screw connection
58	931,171,512	1	hydraulic screw connection
59	931,251,590	1	hydraulic pipe bend
60	934 100 010	1	axial piston pump
61	941,050,243	1	Bowden cable auxiliary drive
62	960 011 220	1	battery closed
63	C00438	1	spacer bushing
64	C00439	1	bearing axle for tension pulley
65	C00470	1	tension pulley
66	C00474	1	Fixing shaft for belt tensioner
67	C00477	1	spacer
68	C00802	1	hold-down device
69	C01019	1	Toothed disc with original Rotex 24 hub
70	C01290	1	Wiring battery - regulator (+)
71	C01291	1	battery wiring - ground (-)
72	C04369	1	V-belt pulley 112-SPB
73	C04370	1	timing belt pulley
74	C04371	1	auxiliary drive shaft
75	C05122	1	spacer sleeve
76	C 05762	1	Bushing for Hansa axial piston pump
77	C06189	1	sleeve for Bowden cable tensioner
78	C06440	1	pressure plate
79	C06448	2	glider
80	C06450	1	short swivel axis
81	C06451	1	swivel axis
82	C10994	1	Bowden cable tensioner holder complete
83	C11021	1	inspection cover auxiliary drive
84	C11069	1	Small front cover with pull-in nut, complete.
85	C12042	1	counterholder
86	C12043	1	tension pulley holder V2
87	C13615	1	mounting plate for auxiliary drive (short)
88	C13616	1	Large front cover for cast pump (short)
89	C13792	1	Battery box complete for parking support
90	C13794	1	parking support complete
91	C13798	1	battery cover
92	C14152	1	insulator for battery
93	C14356	1	tension pulley holder complete
94	C14652	2	jack stand bushing
hydraulic hoses			
Nr.	Art.-No.	No.	naming
A	930 680 080	1	Hydraulic hose supply valves/pump bottom
B	930 680 080	1	Hydraulic hose return valves/pump top
C	930 680 040	1	Hydraulic hose supply tank/supply pump Hydraulic
E	930 680 040	1	hose supply cooler/pump right

2.5 Handlebar with active steering - C14599



Installation instructions:
 - Mount the angle sensor with the label facing downwards
 - Recess of the Angle sensor must be turned clockwise in FR

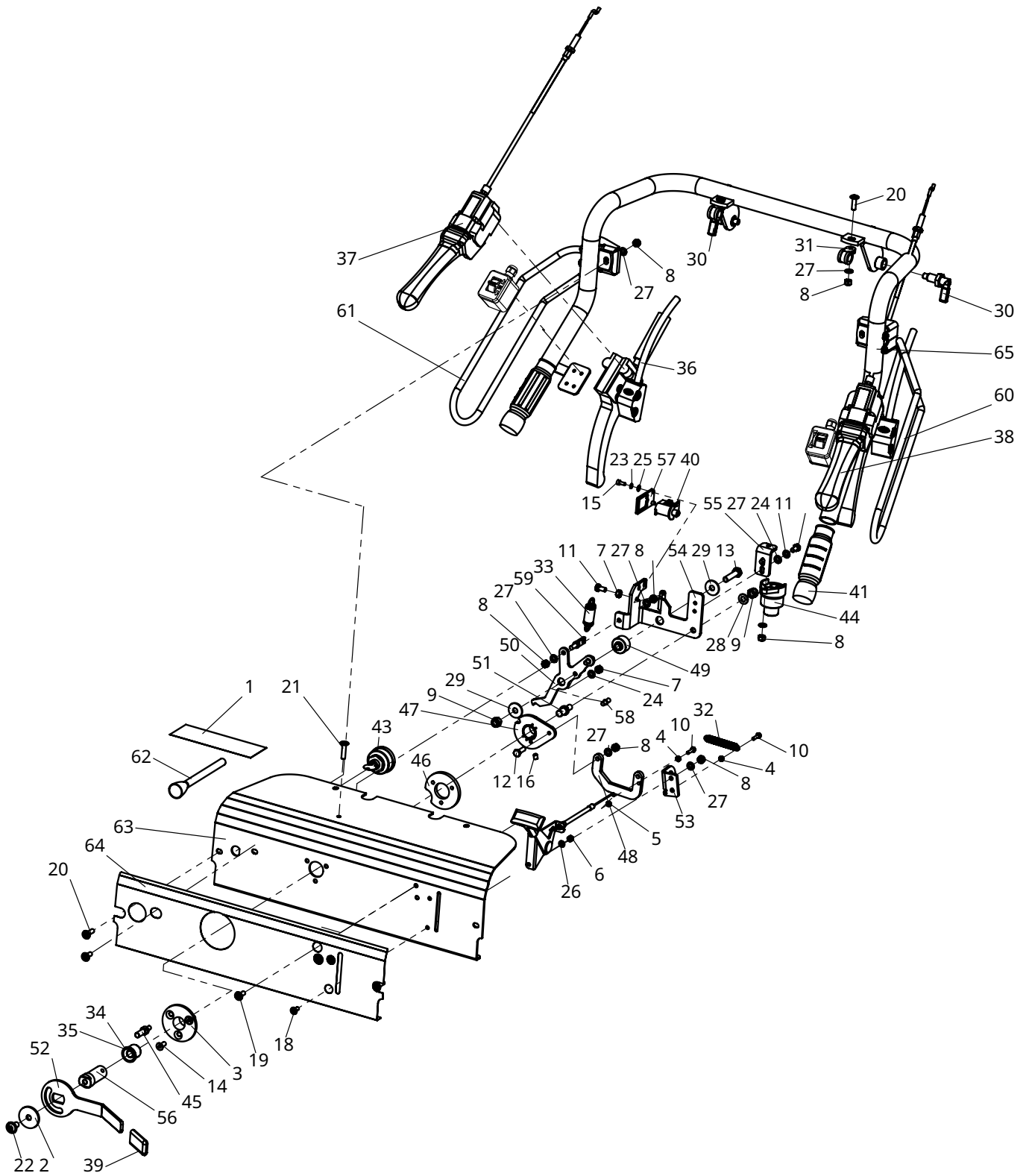
Führungsholm with spar active steering - C14599

Nr.	Art.-No.	No.	designation
1	110 000 135	1	tank screw connection with filter carrier 15L
2	767,000,147	1	edge protection for tank
3	900 006 002	1	lock nut
4	900 008 001	6	Skt.-Mutter
5	900 008 002	1	lock nut
6	900 012 017	2	ring nut
7	900 016 024	1	hexagon nut self-locking
8	901 006 012	2	hexagon screw without shaft
9	901 008 016	1	hexagon screw without shaft
10	901 008 020	8	hexagon screw without shaft
11	901,012,080	2	hexagon screw without shaft
12	901,205,030	2	Countersunk screw with hexagon socket
13	901 806 010	2	Cylinder head screw with hexagon socket
14	901 806 016	4	Cylinder head screw with hexagon socket
15	903 906 016	7	Lens head screw with hexagon socket
16	905,006,000	6	spring ring
17	905,008,000	4	spring ring
18	905,106,000	3	U-disk
19	905,108,000	9	U-disk
20	905,112,000	4	U-disk
21	905 206 018	1	K-disk
22	905,506,000	2	locking washer
23	907 501 109	1	locking bolt with locking mechanism
24	907 501 116	2	locking bolt with lock nut
25	907 704 008	1	angle joint
26	907 704 080	2	joint piece
27	907 704 081	2	fork joint bolt
28	909 100 239	1	compression spring
29	910,006,000	1	grease nipple
30	910,008,000	2	grease nipple straight
31	911 006 015	1	rubber buffer
32	911,108,030	2	rubber-metal buffers
33	911,301,244	2	vibration element for guide bar
34	914,000,700	2	cable tie clip
35	931 071 512	1	hydraulic screw connection
36	931,200,042	1	vent connection
37	937 105 830	1	O-ring
38	937,200,030	1	Microfilter for axial piston pump
39	937 200 035	1	RFM filter with bypass
40	937 595 030	1	O-ring
41	943 559 016	1	cover cap
42	950 900 064	1	stickers
43	C00863	1	cover plate
44	C06491	2	pipe clamp
45	C06956	2	rubber stop rail
46	C12945	1	Mounting bracket handrail complete
47	C13178	1	tank holder
48	C13780	1	swivel bracket left
49	C13782	1	swivel bracket right
50	C13856	1	Swivel axis for handrail with sensor

Führungsholm with spar active steering - C14599

Nr.	Art.-No.	No.	designation
51	C13862	1	centering bushing with collar
52	C14159	1	cover strip left
53	C14160	1	cover strip on the right
54	C14456	1	hydraulic oil tank with filter housing
55	C14551	1	tank screw connection G1/2"
56	C14607	1	handlebar
57	C14660	2	edge protection
58	M00140	1	damping cylinder complete
hydraulic hoses			
No.	Art.-No.	No.	naming
C	930 680 040	1	Hydraulic hose supply tank/supply pump Hydraulic
D	930 680 040	1	hose return cooler/return tank

2.6 Control console with Comfort Drive and single lever - C14457



Bethenconsole with Comfort Drive and single lever C1

4457

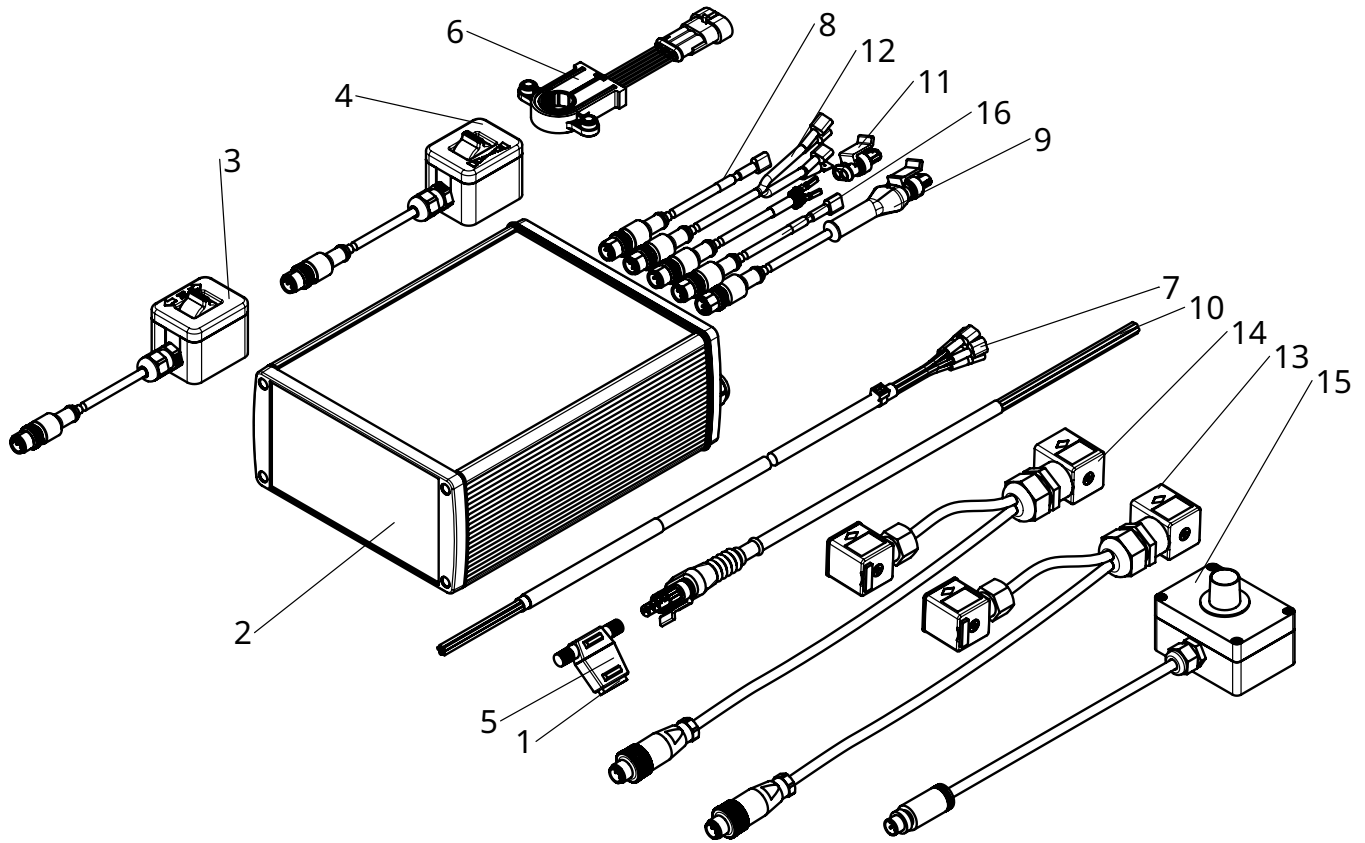
Nr.	Art.-No.	No.	designation
1	000,003,000	1	AVIA sticker
2	705 360 803	1	U-disk
3	767,000,004	1	rosette mower lever
4	900 004 001	2	Skt.-Mutter
5	900 004 002	1	lock nut
6	900 005 001	2	Skt.-Mutter
7	900 006 001	3	Skt.-Mutter
8	900 006 002	10	lock nut
9	900 008 002	2	lock nut
10	901,004,016	2	hexagon screw without shaft
11	901 006 012	3	hexagon screw without shaft
12	901,006,020	1	hexagon screw without shaft
13	901,008,035	1	hexagon screw without shaft
14	901,206,016	2	Countersunk screw with hexagon socket
15	901 804 010	2	Cylinder head screw with hexagon socket
16	902 406 008	1	threaded pin with cup point with locking tooth
17	902 642 013	4	self-tapping screw
18	903 905 012	2	Lens head screw with hexagon socket
19	903 906 016	3	Lens head screw with hexagon socket
20	903 906 020	4	Lens head screw with hexagon socket
21	903 906 025	1	Lens head screw with hexagon socket
22	903 908 016	1	Lens head screw with hexagon socket
23	905,004,000	2	spring ring
24	905,006,000	4	spring ring
25	905,104,000	2	U-disk
26	905,105,000	2	U-disk
27	905,106,000	12	U-disk
28	905,108,000	1	U-disk
29	905 208 025	2	K-disk
30	907 501 112	2	locking bolt with lock nut
31	908 618 012	2	pipe clamp with rubber
32	909,200,138	1	tension spring
33	909,200,141	1	tension spring
34	915 021 020	1	plain bearings
35	915 101 214	1	plain bearings
36	941,050,147	2	brake lever
37	941,050,149	1	Dead man's lever with Bowden cable, short
38	941,050,150	1	Dead man's lever with Bowden cable, long
39	941,900,050	1	diving cap
40	941 903 005	1	safety switch closer
41	941 908 015	2	handle
42	941,920,133	1	throttle lever LGS compl.
43	960 000 402	1	ignition lock
44	960 090 001	1	horn
45	C00057	1	stop pin auxiliary drive lever
46	C00058	1	stop plate for external operating lever
47	C06231	1	panning backdrop
48	C06235	1	deflection bracket
49	C06236	1	pivot bearing for bouncers
50	C06237	1	thrower
51	C06238	1	counter bearing auxiliary drive lever
52	C06239	1	auxiliary drive lever
53	C06241	1	Bowden cable holder
54	C06242	1	PTO lever mounting bracket
55	C06913	1	screw-on bracket for mounting frame

Bethenconsole with Comfort Drive and single lever C1

4457

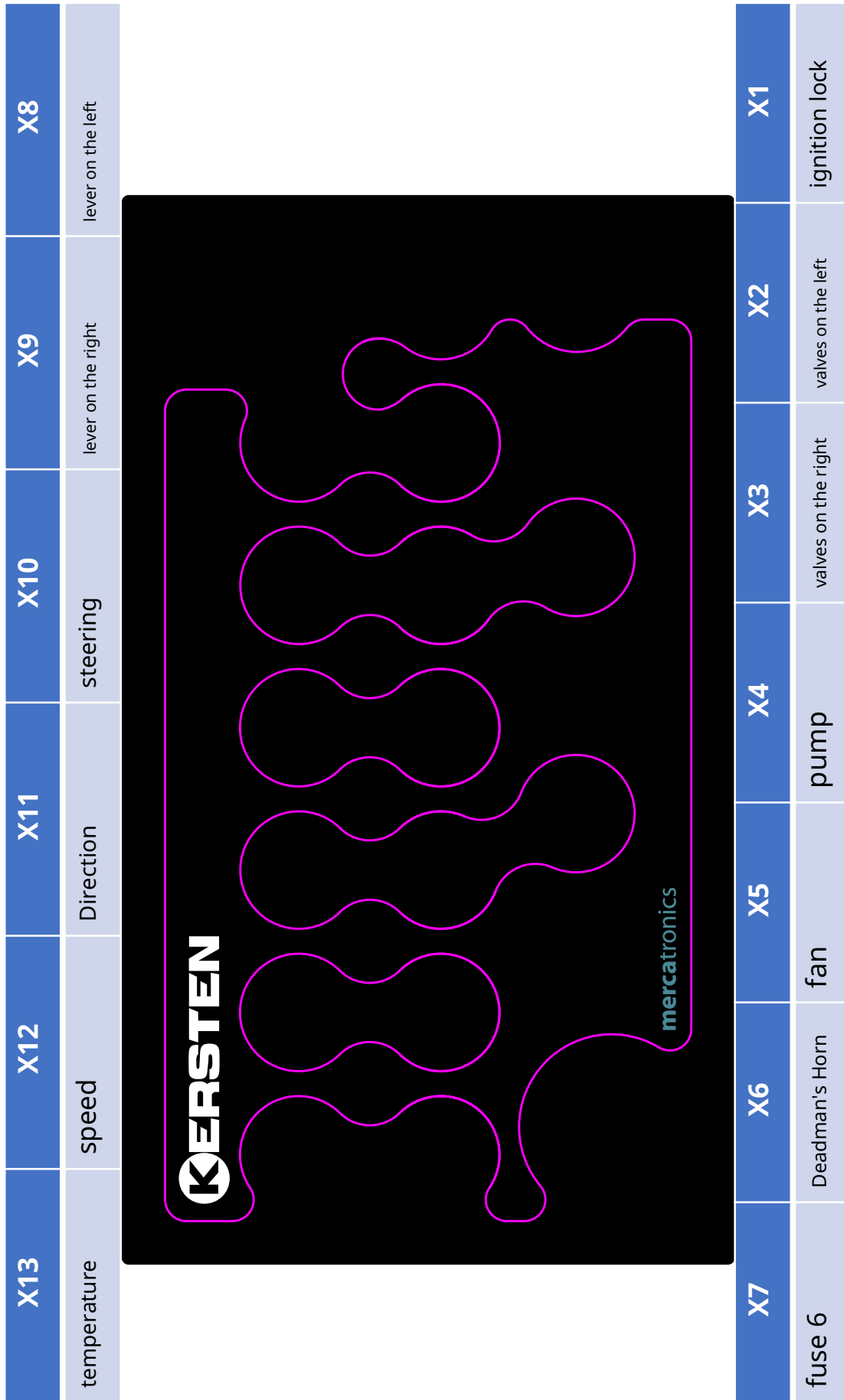
Nr.	Art.-No.	No.	designation
56	C07086	1	swivel axis
57	C07099	1	holder for safety switches
58	C07158	2	locking bolt
59	C10888	1	Bowden cable holder
60	C11315	1	Hand guard for control console, right Hand
61	C11318	1	guard for control console, left Fabric stocking
62	C13570	1	
63	C14458	1	Control panel with ignition lock
64	C14476	1	Control panel sticker Control panel
65	C14621	1	Handrail complete

2.7 Cable and control kit - 936 306 034



No.	Art.-Nr. No.		designation
1	912,700 015	1	plug-in fuse
2	936,306 031	1	steering
3	936,306 032	1	control lever on the left
4	936,306 033	1	control lever on the right
5	960 071 010	1	fuse holder
6	960 100 001	1	angle sensor
7	C 14677	1	ignition lock cable compl.
8	C 14715	1	Line Temp. Sensor (WX13)
9	C 14716	1	steering line (WX10)
10	C 14717	1	Motor supply line (WX0)
11	C 14719	1	fan line (WX5)
12	C 14721	1	Deadman/Horn line (WX6)
13	C 14723	1	line valves right (WX3)
14	C 14724	1	line valves left (WX2)
15	C 14725	1	Zero Turn selector switch (CAN2)
16	C 14761	1	line pumper (WX4)

2.7.1 Control box assignment plan



2.7.2 Error messages

1. Everything is OK

Horn off, LED flashes slowly

2. Engine does not run

Horn and LED -> Two short beeps (100ms), 2 seconds pause

3. Error messages

a) Input devices

Twice normal (200ms), 1 second pause and then the number of tones according to the module followed by 5 seconds pause:

- brake lever left (1)
- brake lever right (2)
- active steering (3)
- direction selector switch (4)
- speed lever (5)
- voltage sensor (6)
- temperature sensor (7)

2.7.3 Operating instructions for Zero Turn selector switch

The rotary switch has four levels, labeled 0, 33%, 66% and 100%. The response of the zero turn steering can be adjusted by selecting one of the levels. The levels are structured as follows:

- Level 1 (0%): Zero Turn switched off. Recommended for loading the machine.
- Level 2 (33%): Zero Turn easy. Recommended for working on flat surfaces.
- Level 3 (66%): Zero Turn medium. Recommended for gentle inclines.
- Level 4 (100%): Zero Turn extreme. Recommended on slopes to make it easier to turn the machine on the spot.

2.7.4 Calibration of angle sensor

To recalibrate the angle sensor, the following steps must be performed in sequence:

1. With the machine switched off, move the control handle to the zero position and lock it with the locking bolt.
2. Hold the magnet in front of the left control switch of the Comfort Drive.
3. Switch on the ignition. Continue to hold the magnet in front of the control switch.
4. The machine will play five short beeps, followed by a long beep as confirmation.
5. Remove magnet from left control switch.
6. Switch off the ignition.

This completes the process and the sensor is recalibrated.

3 wheels and accessories

3.1 Wheels and wheel hub list - D00003 UBS Alpin II pro

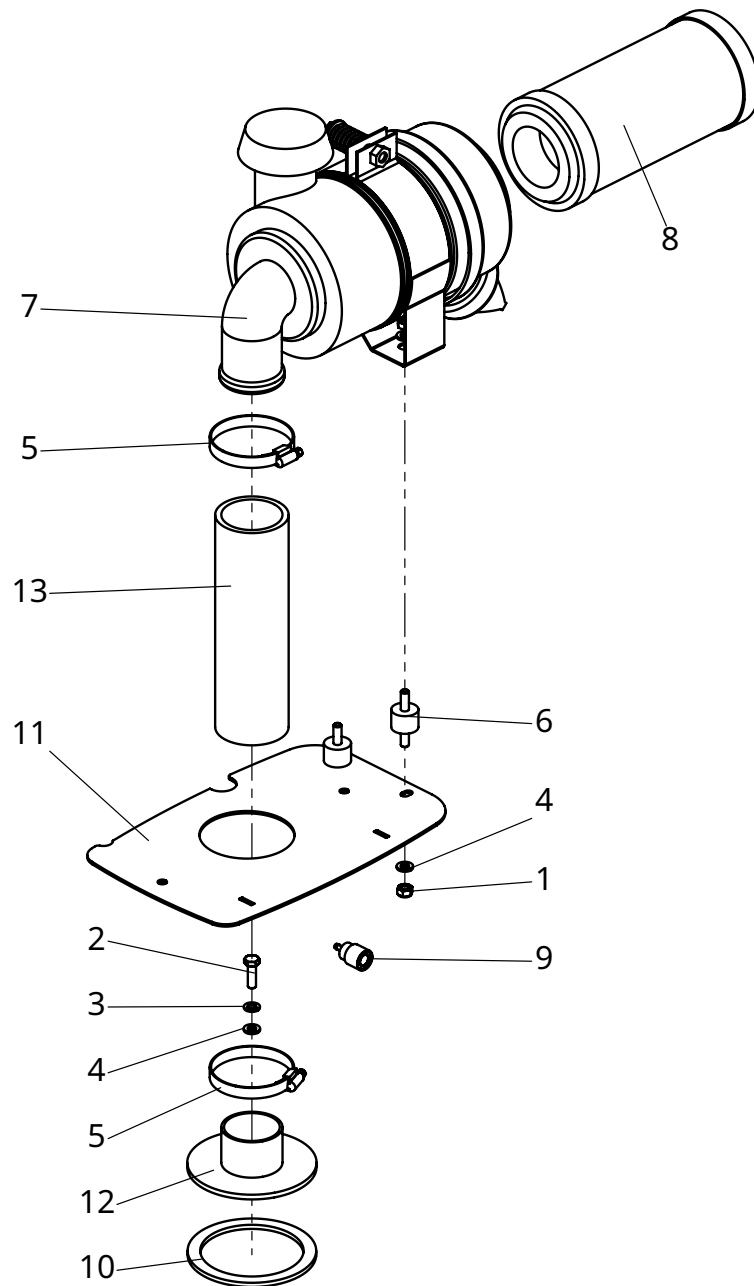
order No.	tire size	tire tread	Art. No. Wheels	Art. No. Wheel hub/ widening	drive-through width in cm	Height mounting flange in cm
S1324	5.00-10	Ackerstollen	926 110 510	C03123	96	31.5
S1325	5.00-10	twin tires	926 110 510	767,000,112	125	31.5
S1326	18x9.5-8	Ackerstollen	926 110 188	C00976	112	
S1356	18x9.5	grid wheel	767,000,148		138	
S1342	21x11-8	Ackerstollen	926 111 108	C00976	114	
S1357	21x11-8	grid wheel	767,000,114		142	
S1328	23x8.5-12	Ackerstollen	926 110 238	C03123	105	33
S1343	9"	Flexispike	926 100 109	C03123	153	30.5
S1344	11"	Flexispike	926 100 111	C03123	156	36
S1347	10"	spiked roller				

Wheel assembly:

The castle nut for securing the hub must be tightened with a torque of 320 Nm.

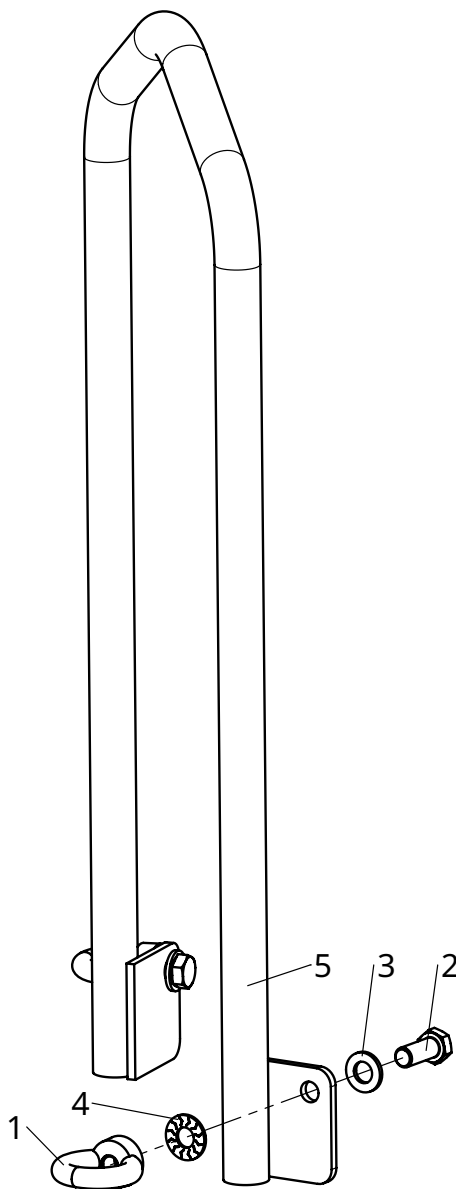
4 options

4.1 Cyclone air filter complete - S1202



No.	Art.-Nr. No.		designation
1	900 006 002	4	lock nut
2	901,006 020	1	hexagon screw without shaft
3	905,006 000	1	spring ring
4	905 106 000	5	U-disk
5	908,240 060	2	hose clamp
6	911,006 015	2	rubber buffer
7	920 001 019	1	cyclone air filter including filter cartridge
8	920 001 019-1	1	outside air filter
9	920 001 024	1	Tank ventilation for cycles
10	937,120 027	1	flat gasket
11	C0030 1	1	air filter holder plate
12	C1213 8	1	air intake manifold
13	C12334	1	radiator hose

4.2 Loading frame - S1329



No.	Art.-Nr.	No.	designation
1	900 012 017	2	ring nut
2	901,012 030	2	hexagon screw without shaft
3	905 112 000	2	U-disk
4	905,512,000	2	locking washer
5	C14500	1	loading frame small